

**I Application**

Diaphragm valves, manually or pneumatically operated, are specially designed for use in hygienic and aseptic processes in the food-processing and pharmaceutical industries. The valve is excellent for flow control as well as for open/close duties.

**I Operating principle**

The diaphragm provides the body seal as well as the seat seal. There are no paths to the outside environment and, as such, the valve is suitable for aseptic processes. When the valve is being closed, a pressure pad which supports the diaphragm moves towards the sealing face on the body. As the pressure plate moves, the diaphragm flexes and is forced down onto the seat area in the centre of the body, thus, closing off the flow path through the body. The inter-relationship of body to the pressure plate prevents over compression of the diaphragm.

The valve can be actuated either manually or pneumatically and controlled by control units and solenoid valves.

**I Design and features**

- Straight through flow path. High Kv factor.
- Controlled compression of sealing.
- Compact actuator.
- Normally closed (NC) pneumatic actuator (standard).
- Sealed actuator with no maintenance required (stainless steel version).
- Handle with stroke limiter (except size N°4).
- Leak detector.
- Position indicator.
- Interchangeability of parts.
- Ergonomic handle.
- Traceability of components.

**I Technical specifications**

<b>Materials:</b>		
Parts in contact with the product		Stainless steel AISI 316L (1.4404)
Other stainless steel parts		Stainless steel AISI 304 (1.4301)
Plastic parts		PP + 30 GF
Diaphragm	EPDM	(according to FDA 177.2600 and USP Class VI)
<b>Surface finish:</b>		
Internal		Ra ≤ 0,5 µm
External		Bright polish
Available sizes		DN ¼" - DN 2"
Connections		Weld and Clamp OD / DIN
<b>Operating limits:</b>		
Max. working temperature (St.St. actuator)	-20 °C to +90 °C (EPDM)	-4°F to +194°F
	+140 °C (SIP, max. 30 min)	284°F
Max. working temperature (plastic actuator)	+80 °C (EPDM)	+176 °F
Max. working pressure (according to the model)	10 bar	145 PSI
Compressed air pressure	6-8 bar	87-116 PSI



**I Combinations**



plastic  
bonnet and handle



stainless steel  
bonnet and handle



stainless steel  
pneumatic actuator

**I Options**

Diaphragm: FPM, VMQ (according to FDA 177.2600 and USP Class VI) and PTFE / EPDM separate (according to FDA 177.2600).

Manual or pneumatic actuation.

Handle: stainless steel or plastic.

Bonnet: stainless steel or plastic.

Normally open (NO) double-acting pneumatic actuator.

Pneumatic actuator with stroke limiter.

Pneumatic actuator with external switch.

Control box with switches and solenoid valves.

Valve with controller and positioner.

Tank bottom valve.

Various types of connections.

Materials and roughness certificates.

**I Pressure range**

DN		Plastic handle				St.St. handle		Stainless steel pneumatic actuator	
		Plastic bonnet		St.St. bonnet		St.St. bonnet			
mm	inches	[bar]	[PSI]	[bar]	[PSI]	[bar]	[PSI]	[bar]	[PSI]
6	¼"	8	116	10	145	10	145	8	116
8	⅜"	8	116	10	145	10	145	8	116
10	½"	8	116	10	145	10	145	8	116
15	⅝"	8	116	10	145	10	145	6	87
20	¾"	8	116	10	145	10	145	6	87
25	1"	8	116	10	145	10	145	6	87
40	1 ½"	8	116	10	145	10	145	6	87
50	2"	-	-	-	-	6	87	4	58

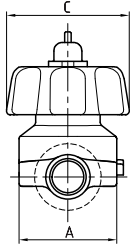
Values valid for EPDM gaskets (other materials to be consulted).

Not suitable to work under vacuum conditions.

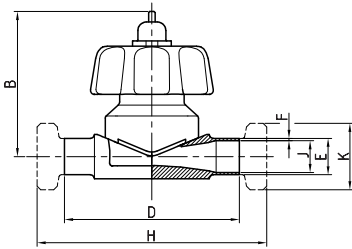


I General dimensions

Handle

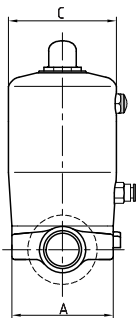


Size	DN	A	B	C	Weld			Clamp OD			Male SMS			
					D	E	F	H	J	K	H	J	K	
N°1	¼"	38	68	60	86	6,4	1,65	86	3,1	25,4		---	---	---
	⅜"					9,5			6,2			---	---	---
	½"					12,7			9,4			---	---	---
	⅝"					15,9			12,6			---	---	---
N°2	¾"	68	105	89	122	19	1,65	114	15,8	25,4		---	---	---
	1"					25,4			22,1			50,5	160	22,5
N°3	1½"	95	134	89	160	38,1	1,65	140	34,8	50,5		206	35,5	60
N°4	2"	130	160	134	191	50,8	1,65	159	47,5	64		237	48,5	70

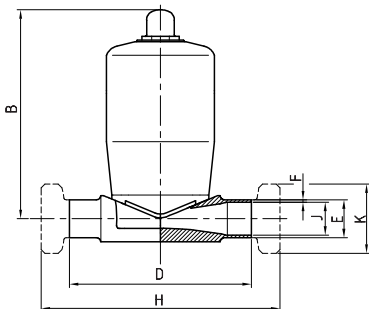


Size	DN	A	B	C	Weld			Clamp DIN			Male DIN			
					D	E	F	H	J	K	H	J	K	
N°1	6	38	68	60	86	8	1	86	6,2	25,4		---	---	---
	8					10			8			---	---	---
	10					12			10			34	120	10
N°2	15	68	105	89	122	19	1,6	158	16	34		156	16	34
	20					23			20			160	20	44
	25					29			26			50,5	166	26
N°3	32	95	134	89	160	35	1,5	140	32	50,5		204	32	58
	40					41			38			38	65	
N°4	50	130	160	134	191	53	1,5	159	50	64		237	50	78

Stainless steel pneumatic actuator



Size	DN	A	B	C	Weld			Clamp OD			Male SMS			
					D	E	F	H	J	K	H	J	K	
N°1	¼"	38	111	57	86	6,4	1,65	86	3,1	25,4		---	---	---
	⅜"					9,5			6,2			---	---	---
	½"					12,7			9,4			---	---	---
	⅝"					15,9			12,6			---	---	---
N°2	¾"	68	143	72	122	19	1,65	114	15,8	25,4		160	22,5	40
	1"					25,4			22,1			50,5		
N°3	1½"	95	211	108	160	38,1	1,65	140	34,8	50,5		206	35,5	60
N°4	2"	130	287	135	191	50,8	1,65	159	47,5	64		237	48,5	70



Size	DN	A	B	C	Weld			Clamp DIN			Male DIN			
					D	E	F	H	J	K	H	J	K	
N°1	6	38	111	57	86	8	1	86	6,2	25,4		---	---	---
	8					10			8			---	---	---
	10					12			10			34	120	10
N°2	15	68	143	72	122	19	1,6	158	16	34		156	16	34
	20					23			20			160	20	44
	25					29			26			50,5	166	26
N°3	32	95	211	108	160	35	1,5	140	32	50,5		204	32	58
	40					41			38			38	65	
N°4	50	130	287	135	191	53	1,5	159	50	64		237	50	78

